

# USER MANUAL

# NICROX OR1800 ALLTRACK



Electric Snow Scooter



Off Road Electric Scooter



Tracked Electric Scooter

## User Notice

### Dear User,

Thank you for purchasing the electric scooter!

This scooter is a high-tech, environmentally friendly product designed to offer exceptional shock absorption, portability, flexibility, riding comfort, safety, and reliability. Please read this user manual carefully to understand its features, technical specifications, safety precautions, after-sales services, and proper usage and maintenance.

### Important Precautions:

1. **Read First:** Do not use the electric scooter until you've thoroughly read the user manual and familiarized yourself with its performance.
2. **Restricted Use:** Do not lend the scooter to anyone unfamiliar with its operation. Pregnant women are advised not to use the scooter.
3. **Pre-Ride Checks:** Always check the braking system to ensure it is functioning correctly before riding.
4. **Charging Safety:** Charge the scooter in a well-ventilated area and avoid high-temperature environments.
5. **Maintenance:** When replacing the motor or tires, ensure the wheel screws are tightened securely to prevent accidents.
6. **No Unauthorized Modifications:** Do not disassemble or modify the scooter's circuitry or components without proper authorization.
7. **Protective Gear:** Always wear a helmet, knee pads, elbow pads, and wrist guards for safety. We recommend using high-quality outdoor sports equipment.
8. **Abnormalities:** If the scooter exhibits any irregular behavior, turn off the power and discontinue use.
9. **Product Variations:** Images in this manual are for reference only and may differ from your actual scooter. Please refer to the actual product.
10. **Battery Care:** If you plan not to use the scooter for an extended period, turn off the battery power. Extended inactivity may result in battery self-discharge or depletion.
11. **Upgrades:** Performance and configurations may be improved over time. Updates are subject to change without prior notice.

### Safety Instructions:

- **For Adults Only:** This scooter is intended for adult use only.
- **Follow Regulations:** Always comply with local traffic laws and regulations.
- **Controlled Acceleration:** Avoid accelerating too quickly, as excessive speed can cause loss of control or falls.
- **Battery Awareness:** Do not ride the scooter if the battery is low to prevent accidents caused by sudden power loss.

**Enjoy your ride and stay safe!**

## CONTENTS

1. DIY Instructions
2. Safety Instructions
3. Package Contents
4. Component Diagram
5. Display Instructions
6. Technical Specifications
7. Configuration Parameters
8. Maintenance Storage and Battery/Controller
9. Warranty Period

Open the URL or scan the code to view the video guide



<https://www.youtube.com/@TheBestEV-RDTS/playlists>

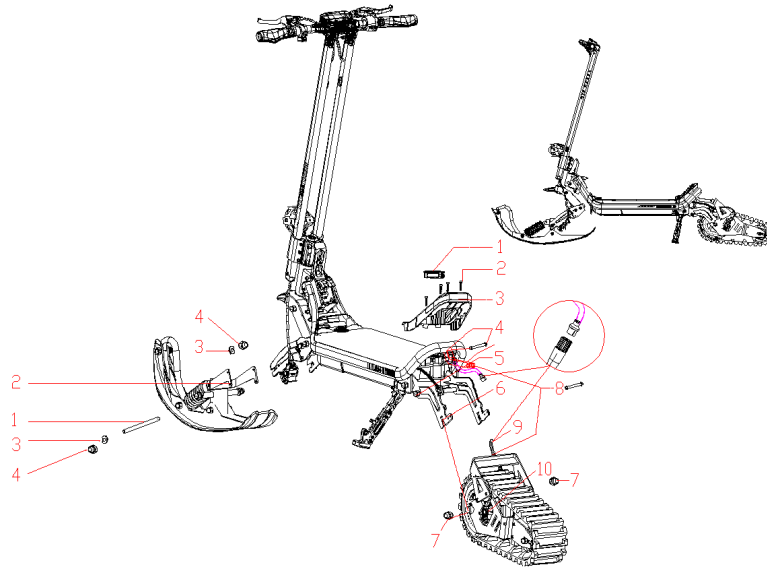
**NOTE: If the QR code fails, Please enter the link to watch the instruction videos**

1. Battery removal and installation, please follow the instructions in the video.
2. If you need to return the product, please contact your dealer first and return it in its original packaging.
3. any questions, please contact us first

# 1. DIY INSTRUCTIONS

- **Electric Snow Scooter Installation and Disassembly**

Before installation, ensure the stability of the scooter body and prepare the necessary tools and accessories.



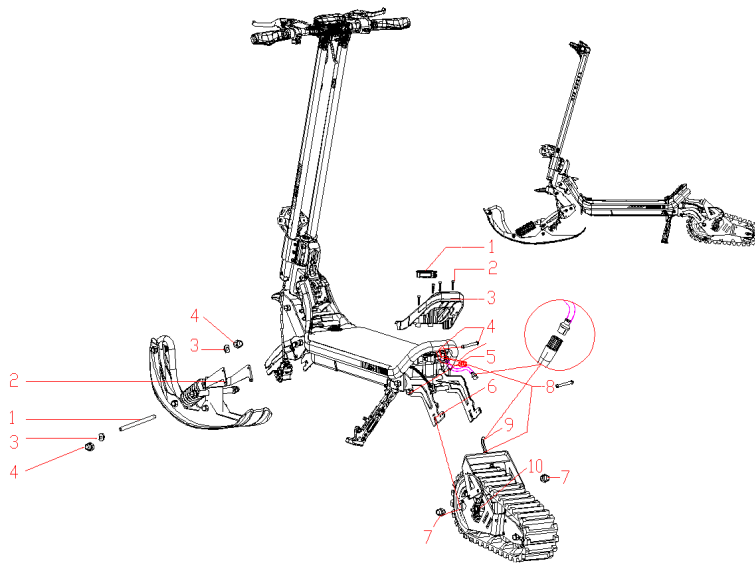
## **B. Front Ski Installation and Disassembly**

1. Insert the main shaft into the ski before inserting it into the front fork
2. Securely fasten the four screws on the connecting plate.
3. Install the anti-loose washers on the left and right sides.
4. Install and tighten the left and right nuts.

## **B. Track Wheel Installation and Disassembly**

1. Remove the seat clamp.
2. Loosen the four screws on the taillight bracket.
3. Remove the taillight bracket (Note: Be careful not to pull the taillight wire and break it).
4. Install the connecting rod onto the frame and tighten the screw (Note: After completing step 4, reset the previous steps 1, 2, and 3).
5. Loosen the nuts on the rear fork slightly.
6. Install the track assembly into the frame.
7. Securely tighten the left and right nuts on the motor.
8. Connect the connecting rod to the track assembly and tighten the screw.
9. Connect the motor phase wires (Note: Ensure a tight connection to avoid affecting the motor)
10. Adjust the brake system

- **Off Road Electric Scooter Installation and Disassembly**



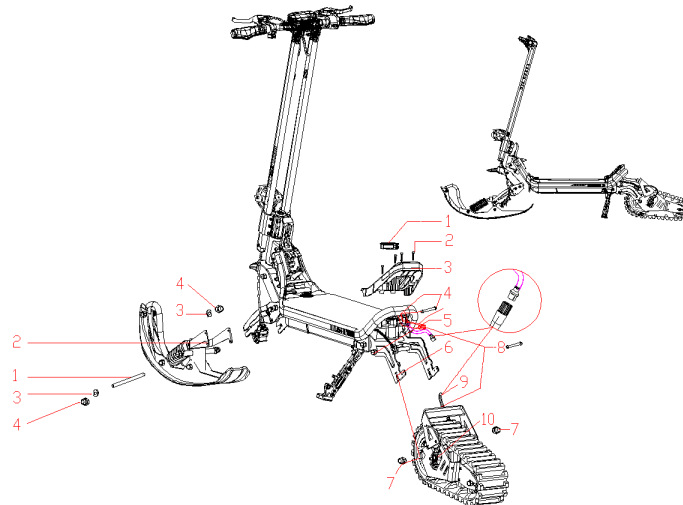
### **A. Front Auxiliary Wheel Installation and Disassembly**

1. Insert the main shaft into the auxiliary wheel before inserting it into the front fork.
2. Install the left and right axle sleeves (Note: The sizes of the left and right axle sleeves are different, with the left one shorter and the right one longer. Make sure not to mix them up).
3. Install the anti-loose washers on the left and right sides.
4. Install and tighten the left and right nuts.
5. Adjust the brake system.
6. Install the mudguard and lock the four screws.

### **B. Motor Wheel Installation and Disassembly**

1. Remove the seat clamp.
2. Loosen the four screws on the taillight bracket.
3. Remove the taillight bracket (Note: Be careful not to pull the taillight wire and break it).
4. Remove the connecting rod (Note: After completing step 4, reset the previous steps 1, 2, and 3).
5. Loosen the nuts on the rear fork slightly.
6. Install the inner washer on the motor.
7. Install the motor into the frame.
8. Install the anti-loose washers on the left and right sides.
9. Securely tighten the left and right nuts on the motor.
10. Install and adjust the brake system.
11. Connect the motor phase wires (Note: Ensure a tight connection to avoid affecting the motor operation).
12. Install the rear mudguard and tighten the four screws.

- **Tracked Electric Scooter Installation and Disassembly**



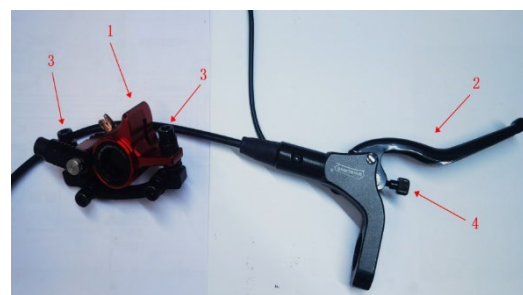
### **B. Front Auxiliary Wheel Installation and Disassembly**

1. Insert the main shaft into the auxiliary wheel before inserting it into the front fork.
2. Install the left and right axle sleeves (Note: The left and right axle sleeves have different sizes, with the left one shorter and the right one longer. Make sure not to install them incorrectly).
3. Install the anti-loose washers on the left and right sides.
4. Install and tighten the left and right nuts.
5. Adjust the brake system.
6. Install the mudguard and secure it with four screws.

### **B. Track Wheel Installation and Disassembly**

1. Remove the seat clamp.
2. Loosen the four screws on the taillight bracket.
3. Remove the taillight bracket (Note: Be careful not to pull and break the taillight wire).
4. Install the connecting rod onto the frame and tighten the screw (Note: After completing step 4, reset the previous steps 1, 2, and 3).
5. Loosen the nuts on the rear fork slightly.
6. Install the track assembly into the frame.
7. Securely tighten the left and right nuts on the motor.
8. Connect the connecting rod to the track assembly and tighten the screws.
9. Connect the motor phase wires (Note: Ensure a tight connection, as a loose connection can affect the motor's performance).
10. Adjust the brake system (Secure the brake system to the frame, tighten the brake lever, lock the two screws on the brake system, and adjust the tightness by rotating the screw on the brake lever).

- (1). Install the brake system onto the frame and secure it in place.
- (2). Tighten the brake lever.
- (3). Lock the two screws on the brake system.
- (4). Rotate the screw on the brake lever to adjust the tightness.



## 2. SAFETY INSTRUCTIONS

Before each ride, ensure that the scooter's drive system is functioning properly. If any part is loose or damaged, **do not use the scooter**, especially the braking system.

### 1. General Instructions

- ✓ Please read this manual carefully before using the scooter.
- ✓ Do not use the electric scooter in hazardous conditions. Avoid using it in areas with a risk of fire or explosion, such as near flammable gases, steam, liquids, dust, or fibers.
- ✓ Always wear a suitable helmet, knee pads, and elbow pads while riding the scooter. We recommend using a certified skateboard helmet that provides protection for the back of your head.
- ✓ Consider using additional protective gear, such as gloves, eye protection, wrist guards, and knee pads, depending on your riding environment and experience.
- ✓ Inform new riders about the basic operation of the scooter. New riders should ride cautiously and only under your supervision unless they have read the user manual.
- ✓ Avoid riding on wet or uneven surfaces. If you cannot avoid them, stop and dismount before proceeding.
- ✓ Exercise caution when riding in confined spaces or near obstacles.
- ✓ Be cautious on slopes, whether going uphill, downhill, or navigating rough terrain. Do not attempt to ride on wet or uneven surfaces.
- ✓ Make turns slowly and carefully. Quick turns may cause the scooter to lose control or slip.
- ✓ Avoid riding on steep slopes, uneven terrain, or in other challenging conditions if you lack experience or if it compromises safety.
- ✓ Avoid wearing loose clothing that could get caught in the wheels.
- ✓ The electric scooter is designed for **one rider only**. Do not carry passengers or hold a child while riding.
- ✓ Pregnant women are prohibited from riding the electric scooter.
- ✓ Do not exceed the maximum weight limit specified in the user manual (including rider and any cargo), as it can lead to significant risks.
- ✓ Do not ride on stairs or revolving doors—these are extremely dangerous.
- ✓ Always come to a **complete stop** before dismounting the scooter.
- ✓ Avoid riding the scooter in low-visibility conditions.

### 2. Safety Precautions

- ✓ Stay alert at all times. Just like with any other form of transportation, mental alertness is required to safely operate the scooter. If you're unwell, unable to follow instructions, or impaired by alcohol or drugs, **do not ride the scooter**.
- ✓ Avoid distractions such as using a phone, wearing headphones, or engaging in other activities that may impair your ability to observe your surroundings.
- ✓ Pay close attention to your environment, particularly when approaching intersections or other complex areas. Slow down or stop when necessary to avoid motor vehicles, cyclists, or pedestrians.
- ✓ Always grip the handlebars with both hands and keep both feet stable on the scooter. Maintain a relaxed posture with slightly bent knees and elbows.
- ✓ If the scooter indicates low battery, **do not restart** it. The scooter may not have enough power to operate safely, and continuing to ride could damage the battery.
- ✓ **Do not ride the scooter in snowy conditions** unless it is specifically designed for that environment. Improper usage may damage the components.

- ✓ Do not exceed the combined weight limit of 4.5 kg for the handlebars and any additional accessories. Overloading can affect balance and stability, leading to potential accidents.

### 3. Safety Hazard Avoidance

- ✓ **Avoid riding in the rain** to prevent slipping or damage to the scooter.
- ✓ When encountering obstacles like speed bumps, elevator thresholds, potholes, or other uneven road surfaces, **do not pass through at high speeds**. Keep your speed moderate (5-10 km/h) and bend your knees slightly for better control.
- ✓ Be aware of **high obstacles** like door frames and elevators to avoid head injuries.
- ✓ **Do not press the throttle or engage the accelerator** while walking with the scooter.
- ✓ Always ride around obstacles instead of attempting to ride over them.
- ✓ **Do not hang heavy items** like backpacks on the handlebars as it can affect the scooter's balance.
- ✓ Never ride with one foot on the pedal or on the ground.

### 4. Dangerous Actions – Do Not Attempt

- ✓ Do not ride the scooter in motor vehicle lanes or in areas with mixed pedestrian and vehicle traffic.
- ✓ Avoid making large handlebar turns at high speeds.
- ✓ **Do not ride through water** exceeding 2 cm in depth.
- ✓ **Do not allow multiple riders** on a single scooter or carry a child while riding.
- ✓ Do not step on or tamper with the rear end of the mudguard.
- ✓ **Never touch the brake disc** while it is in use.
- ✓ Always keep both hands on the handlebars while riding.
- ✓ **Do not attempt to ride on stairs** or jump over obstacles.



### 3. PACKAGE CONTENTS



#### ATTENTION

Please check the packaging contents, and if there are any missing items, please contact your dealer or retailer for assistance. The box includes the following components:



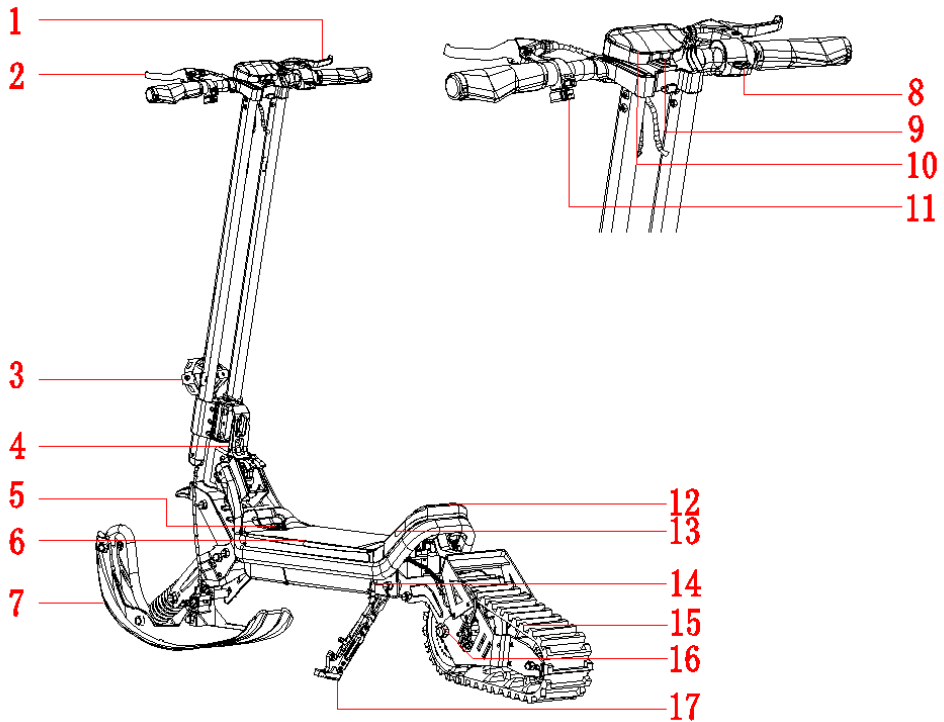
#### Accessorisk:

Scooter	User Manual	Charger	Tool Kit
---------	-------------	---------	----------

**Note:** The product you received may not completely match the content in the manual. Please refer to the actual product you received due to variations in product configurations. For further details, please contact the customer service of your dealer to assist you with it.

# 4. COMPONENTS DIAGRAM

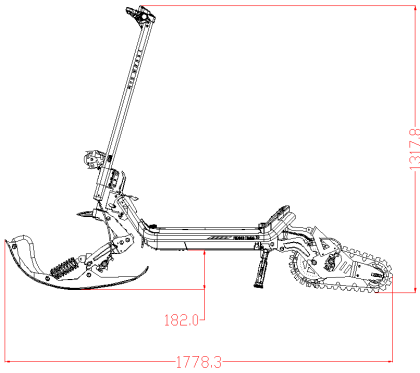
## 1. component diagram



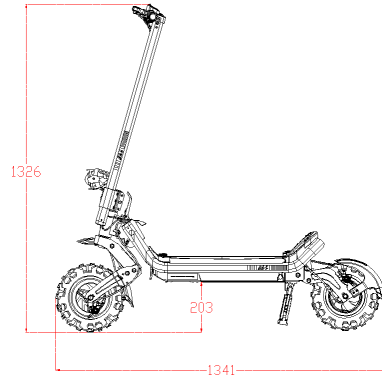
1. Front brake	10. Dashboard
2. Rear brake	11. Bell
3. Front light	12. Tail light
4. Folding mechanism	13. Seat mounting hole
5. Digital lock	14. Charging ports (right and left)
6. Battery compartment	15. Track assembly
7. Ski assembly	16. Motor
8. Accelerator	17. kickstand
9. Power button	

## 2. Size diagram

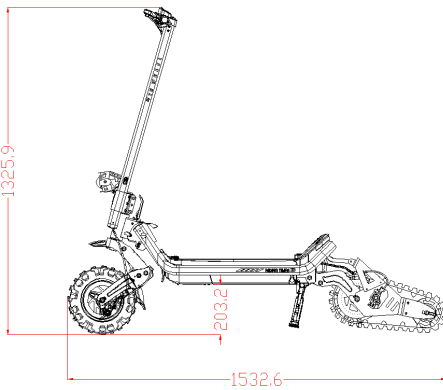
### Electric Snow Scooter Size:



### Off Road Electric Scooter:



### Tracked Electric Scooter Size:

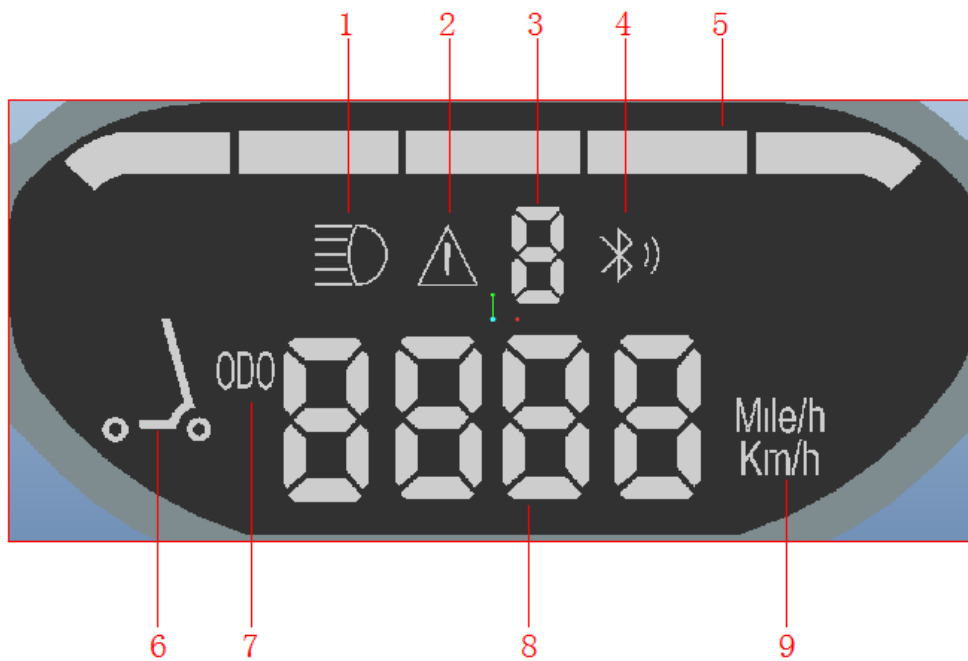


### Attention:

Please note that dimensional tolerances may exist.  
Thank you for purchasing our electric scooter.

This manual contains the most up-to-date product information available at the time of printing. We reserve the right to make modifications without prior notice and do not assume any subsequent obligations.

## 5. DISPLAY INSTRUCTIONS



1. Front light	6. Drive
2. Malfunction	7. Total mileage
3. Gear	8. Speed
4. Bluetooth	9. Unit
5. Battery level	

Please note that some models may not support the functions mentioned above. Please refer to the actual product you received for specific details.

**Battery Inventory (point 5 in above diagram):**

There are 5 Leds showing the battery inventory levels

**Change speed mode:**

When the scooter is on, quickly press power button and the display reflect the speed mode gear 1/2/3.

**Turn ON/OFF the scooter**

To Turn ON: when the scooter is off, press power button shortly

To Turn OFF: when the scooter is on, press power button for 3 seconds

**Turn ON/OFF the lights:**

To turn on/off the lights (front and rear), press power button twice in a row, when the lights are on, display reflect it (1 in the diagram)

**Switch KM to Mile:**

Press power button 3 times in a row to switch kilometers to miles

**Start Mode:**

Press power button 4 times in a row to switch from zero start mode to non-zero start (The default setting of electric scooters is non-zero start. Zero start means directly pressing the accelerator to start)

The displayed mileage value upon factory delivery is a test value and may not reflect the actual mileage.

Manufacturers usually use confidential permissions to clear the test values after testing.

**Adjusting the Brake Disc:**

If the brakes are too tight or not releasing properly, use a 5mm Allen wrench to loosen the screws on the caliper. Gently adjust the brake line to the appropriate position and then tighten the screws.

**Adjusting the Handlebar Stem:**

Prolonged use of the scooter may cause the screws to loosen, resulting in an unstable handlebar stem. In such cases, simply tighten the two screws located on the folding mechanism.

**Charging the Scooter:**

The scooter comes with a detachable battery pack and a dual charging port design. **(default package only provides 1\* charger)**

1. Lift the rubber cover from the bottom of the electric scooter.
2. Insert the charging adapter into the charging port.

## 6. TECHNICAL SPECIFICATIONS

### Charging

To maintain optimal performance of the scooter's battery, it is recommended to charge the battery for at least 5 hours per month when not in use. Only charge the battery within the specified temperature range.

Charging time may vary based on the following conditions:

1. The battery has stored power, if the stored power is low, the charging time will be longer.
2. Batteries that are too hot or cold may not charge, or may take longer to charge

### Recommended charging temperature range

1. If the storage temperature is below 32°F/0°C, do not charge the battery. Charge the battery in an environment with a temperature above 50°F/10°C. This ensures optimal battery life and performance.
2. Do not insert the power cord into the charging port, power cord, or AC power socket if they are wet.

### To charge the battery:

1. Place your scooter in a clean, dry area within the recommended charging temperature range
2. Open the charging covers located on both sides of the rear section of your scooter.
3. Ensure the charging port, power cord, and AC power socket are clean, dry, and free of debris.
4. Insert the other end of the power cord into the charging port (a green indicator light will turn on).
5. Insert the end of the power cord (included with your scooter) into a grounded AC power socket (100V-240V: 50Hz-60Hz). The power cord should be properly grounded (the indicator light will turn red).



### Attention

After charging is complete, close the rubber cover. The red indicator will turn green again. (Note: Do not leave your scooter charging for more than 12 hours)

Before riding, please pay attention to the following:

1. When you are ready to use the scooter, remove the power cord and close the charging port.
2. Disconnect the power cord from the power outlet.
3. Disconnect the power cord from the charging port on the electric scooter.
4. Disconnect the charger.
5. Close the charging port cover.

Always keep the charging port cover closed unless you are charging the scooter. Closing the charging port cover prevents water, dirt, dust, and other contaminants from entering the charging port and causing damage to the scooter.

### Instruction

1. Charge the lithium battery within a temperature range of 0°C to +45°C.
2. Refer to the data in the parameter table for continuous charging.
3. Only use the dedicated charger to charge your scooter.
4. The local charger has an AC input voltage of (100~240V).
5. Turn off the power before charging.
6. Ensure that the charger is connected to the scooter first before plugging it in. Otherwise, it may damage the charger port.
7. Do not place the charger and circuit board in damp areas or near water.
8. Note: Keep at least 20 centimeters away from other objects. Do not place it on a sofa, bed, or carpet. Do not cover the charger and ensure proper ventilation.
9. Do not place any weight or heavy objects on the scooter and charger.
10. Unauthorized modification of the scooter is prohibited, otherwise the warranty will be voided and the risk of injury and electricity will be created.
11. The light is red when charging. When the battery is full and the light turns green, unplug it. Do not

recharge the battery within 2 hours.

12. Please supervise the charging process with the relevant personnel.

### Charging Malfunction

If a malfunction is detected during the charging process, please stop charging.

Check the following conditions:

1. If the charging indicator light goes off, check if there is AC power and ensure that the power cable is securely connected to the charging port.
2. If there is AC power and the charging indicator light remains off, it indicates a problem with the charger. Please contact the scooter dealer.
3. During charging, do not use a different type of charger. Only use the dedicated charger. Do not use one charger to charge different types of electric scooters. The charger may get damaged.
4. Do not disassemble the charger. If you need repair or replacement, please contact the scooter dealer.

### Surface Charge (Partial Charge)

When your scooter's battery is not fully charged, **surface charging** or **partial charging** may cause the dashboard to display an inaccurately high battery level.

#### To ensure an accurate battery reading:

1. Power on the scooter and observe the dashboard.
2. Ride the scooter for three to four minutes.
3. Recheck the battery level displayed on the dashboard.

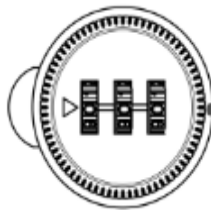
If the battery display shows a lower level after riding, it indicates that the battery only received surface charging. In this case, the scooter should be returned for further charging to ensure optimal performance.

### Battery Password Lock Reset

The default password for the battery box lock is 000.

Note: When installing the battery box inside the frame, it is necessary to unlock the combination lock to avoid squeezing the internal metal plates.

Unlocked state



Locked state

1. Ensure the lock is in the unlock state (default setting: 0-0-0).
2. Locate the reset position, a small hole below the outer slope. Rotate the head until the button inside the hole becomes visible.
3. Use a small cylindrical object to press and hold the reset button.
4. Rotate the password wheels to set your desired combination in the center position.
5. Release the reset button to save your new password.
6. Locking:
  - Rotate the lock to the locked state.
  - Mix one or all of the combination wheels to secure it.
7. Unlocking:
  - Align the password wheels with the set combination to unlock the device.

#### Friendly reminder!

After changing the password, please test if the password setting is successful and record your new password to avoid forgetting it and being unable to open it after a long period of non-use.

## How Temperature Affects Performance

### 1. Riding in High or Low Temperatures:

It is recommended to ride within the specified temperature range. As with all batteries, cold conditions can reduce performance, meaning you may not be able to travel the same distance when the battery is cold.

### 2. Charging in High or Low Temperatures:

Charge your battery within the recommended temperature range for optimal efficiency. If the battery is too hot or too cold, charging times may increase, or the battery may not charge at all.

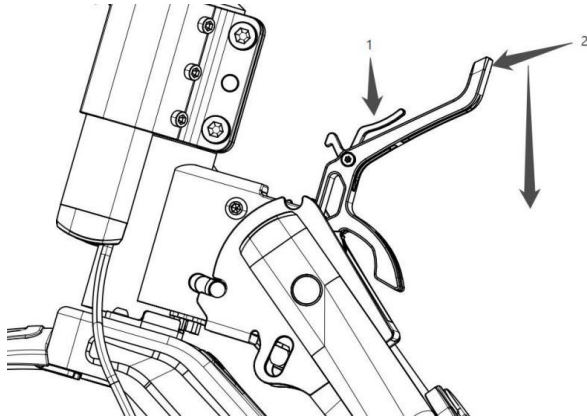
## Replacing the Battery

Your scooter is equipped with a rechargeable lithium battery, which has a limited lifespan.

As the battery approaches the end of its lifespan, you may notice:

1. The need for more frequent charging.
2. A reduced range during use.

When this occurs, please contact your dealer to order a replacement battery.



## Scooter Body Folding/Unfolding

### Quick Folding in 3 Seconds:

1. Press the anti-unhooking mechanism (marked as 1 in the diagram).
2. Hold the wrench (marked as 2), press it down, and fold the steering lever downward to complete the folding process.

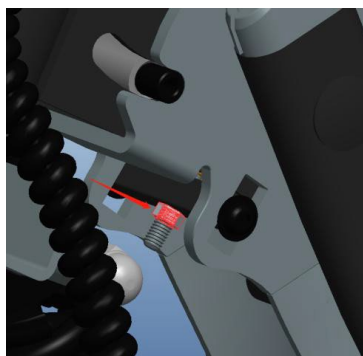
### Quick Unfolding in 3 Seconds:

1. Raise the steering rod upward.
2. Hold the wrench (marked as 2), pull it upward, and secure the anti-tripping mechanism.

(Note: With a new scooter, the folding mechanism might initially feel tight or not perfectly aligned. This is normal—use it with confidence.)

### Additional Note:

After a break-in period, the folding mechanism may develop slight stretching or play. To fix this, adjust the "nut" located under the center axis to ensure proper lock

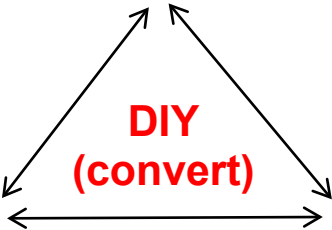




7. CONFIGURATION PRARAMETERS



Electric Snow Scooter




Off Road Electric Scooter



Tracked Electric Scooter

## G63 DIY Specification

Model	Electric Snow Scooter	Off Road Electric Scooter
Motor	48V 1500W*1 Split motor	
Battery Model	20.8Ah (18650)	
Battery Weight	About 8.3kg	
Intelligent System	 Tuya APP None-key start+Motor Anti-theft Locking+man-machine Interaction	
Special Function	Removable battery set and seat	
Brake System	Front & Rear Oil brake + Electronic brake	
Tire	PA66 injection molded snowboard + nylon mesh rubber track	11" Self Sealing Off-Road Tubeless Tire
Parts Weight	Snowboard: 2.6kg	Motor Wheel: 6kg Front Wheel: 2.4kg
Suspension	Front & Rear Shock Absorber	
Display	Digital display	
Max Speed	23km/h	50km/h
Max Range	20.8Ah: 27km	20.8Ah: 50km
Test Environment	70kg, outdoor -5°, speed 15km/h, snow road riding test (below -5°, range will be reduced by the decrease of temperature)	70kg, outdoor 26 °, 25km / h cement road riding test
Max Load	130KG	
Climbing Angle	15<	
Charging Time	20.8AH: Charger x1,,11-11.5h Charger x 2, 5.5-6hrs	
Material	A3 carbon steel + 6061 aluminum alloy + plastic PA66	
Net Weight	20.8Ah: About 42.3kg	20.8Ah: About 37.9kg
Gross Weight	20.8Ah: About 50.3kg	20.8Ah: About 42.9kg
Product Size	1778.3*1317.8*600MM	1341*1326*600MM
Folded Size		1508*530*600MM
Carton Size	1755*650*260MM	1480*490*250MM
Remark	Resistance, grip and power consumption of snowboard are greater than off road tire, the range is shorter than off road tire	
	Regular frames are black. Weight does not include quick release seat	
	There are certain errors in the manual measurement of the above data, and the information may not be updated in time, please understand!	

## 8. MAINTAENANCE STORANGE and BATTERY/CONTROLLER

### 1. Cleaning and Storing the Electric Snow Scooter

Your scooter is designed to be virtually maintenance-free. All components are properly installed, and the battery charges normally to ensure optimal performance. **Do not open the scooter, display, or motor,** as these are not user-serviceable parts. Before performing any maintenance, ensure the scooter is turned off and unplugged.

#### a. Inspecting the Electric Snow Scooter

- Exercise caution to avoid injury.
- Do not grip the rear motor assembly wheel or front sled components, as this may injure your fingers or hands.

#### b. Maintenance

- **Tire Pressure:**
  - Maintain appropriate tire pressure.
  - **High pressure** reduces suspension performance and traction, increasing the risk of accidents.
  - **Low pressure** reduces range and can damage the tire/wheel assembly.
- Regularly inspect tires and wheels, especially after any recent tire/wheel servicing.

#### c. Inspecting the Tire/Wheel Assembly

1. Ensure the scooter is powered off and unplugged.
2. Check the wheel rotation and try moving the scooter.
  - The tires and wheel assembly should not move laterally.
  - If wobbling occurs, check and tighten the wheel nuts as needed.

#### d. Tire Pressure

Tire pressure affects suspension and traction. Follow these steps:

1. Ensure the scooter is unplugged and powered off.
2. Regularly check the tire pressure, as improper inflation can cause accidents.
3. Adjust the pressure to the level specified in the "Scooter Specifications."
4. Verify both tires are equally inflated and free from debris or contamination.

#### e. Cleaning Your Scooter

- **Avoid Specialized Cleaning Agents:** Do not use corrosive or specialized cleaning products. These can reduce friction and increase the risk of slipping.
- **Steps for Cleaning:**
  1. Ensure the scooter is unplugged and powered off.
  2. Close the charging port cover before cleaning.
  3. Use soap, water, and a soft cloth to gently clean the scooter.
  4. **Do not submerge the scooter** in water to prevent damage.

Proper maintenance and cleaning will keep your scooter performing efficiently and safely.

### 2. Maintenance of the Electric Scooter Battery

Do not expose the battery to temperatures above 50° C or below 20° C (e.g., do not leave the battery pack in direct sunlight), as it may cause battery failure, overheating, or even fire. For additional battery maintenance precautions, please refer to the battery warning label located beneath the scooter body.

Avoid complete depletion and charging. Use the battery as much as possible. This will significantly extend the battery's lifespan. Additionally, when the battery is used at room temperature, it can achieve higher range and performance. If used in sub-zero environments, the performance will be reduced. Typically, at -20° C, the range may be half or lower than at normal temperatures. As the temperature increases, the battery's range will recover.

A full charge has a standby time of about 60~90 days, after which the stored power is exhausted. If not charged promptly, the battery may be damaged. This damage is irreversible, and any damage caused by prolonged lack of charging is not covered under the warranty. (Note: Non-professionals are prohibited from disassembling the battery, as it may result in serious safety accidents due to electric shock or short circuits.)

### 3. Storage Recommendations

#### a. Temperature for Storage:

#### b. Long-Term Storage (over 3-months)

- Store the battery and charge it at a temperature range of -20°C to 35°C.
- Ensure the storage environment has low humidity and no corrosive gases.

#### b. Long-Term Storage (over 3-months)

- Store the battery at 10-20°C with low humidity in a non-corrosive environment.

#### c. Storage Precautions:

- Do not store any items on top of the battery.

### 4. Battery Safety

#### a. Damage or Abnormal Conditions:

- Do not use the battery if the casing is damaged or if it emits unusual odors, overheats, or leaks substances.
- Avoid contact with leaked substances.

#### b. Keep Away from Children and Pets:

- Ensure children and pets are kept away from the battery at all times.

#### c. Disassembly and Power Off:

- Always unplug or disconnect the scooter's power before disassembling or connecting the battery.
- Never work near the scooter while it's plugged in, as it may pose a risk of electric shock or serious injury.

#### d. Battery Casing Safety:

- Batteries contain toxic substances. Do not attempt to open or tamper with the battery casing, as this can cause electric shock, burns, or fires.
- Opening the battery will damage it and may release harmful substances, rendering the battery unusable.

#### e. Safety Labels:

- Always read and follow the safety information on the battery warning labels.

#### f. Long-Term Insufficient Charging:

- Avoid insufficient charging over long periods, as it can cause permanent damage to the battery.

#### g. Use Dedicated Chargers:

- Only use the designated charger for your battery. Never bypass or cover the charging protection circuits.

#### h. Cleaning and Water Safety:

- Do not use an electric washing machine or high-pressure water gun to clean the scooter. Water entering the charging port can cause damage.
  - Always close the charging port cover after cleaning.
- i. **Water Exposure:**
- Do not submerge the battery or scooter in water. If exposed to water, contact your dealer for further instructions.
  - Store the scooter upright and away from flammable materials.
- j. **Fire and Flammable Materials:**
- As with all rechargeable batteries, do not charge the scooter near flammable materials.

## 5. Battery Specifications

Battery type	48V 20.8AH
Battery weight	Approx.8.3kg
Charging time	Charger x1, 11-11.5hrs Charger x2, 5.5-6hrs
Operating temperature	(-20°C to 40°C)

## 6. Controller protection function description

Item	Function
ESC over temperature protection	<p><b>Level 1:</b> When the ESC (Electronic Speed Controller) temperature reaches 85°C, the ESC power will gradually decrease to 25%. When the ESC cools down and the temperature drops below 75°C, the ESC will resume full power.</p> <p><b>Level 2:</b> When the ESC temperature reaches 105°C, the ESC will slowly shut down the power. When the ESC cools down and the temperature drops below 100°C, the ESC will restore power at 25%.</p>

## 9. WARRANTY PERIOD

Accessories	Quality Issues	Warranty Period
Motor	The motor does not work under normal use	One year
Controller	Controller failure under normal use	One year
Charger	Charger failure under normal use	One year
Lithium battery	Battery failure under normal use	Half year
Body structure	Deformation under normal use or breakage	One year

## Trademark and Legal Notice

The contents and technical specifications in this user manual are subject to printing within the permitted limits. However, our company reserves the right to modify and change its technical specifications or designs. We shall not be obligated to provide any prior notice of such changes. This user manual contains images, function descriptions, and usage instructions for printing. They are for reference only and it may differ from the scooter you purchased due to improvements in product features, design changes, etc. from time to time. Some of the features, performance and configurations mentioned in the user manual may not be available, and the electric scooter you receive will depend on the actual product.